



Catalog #:
Prepared By:

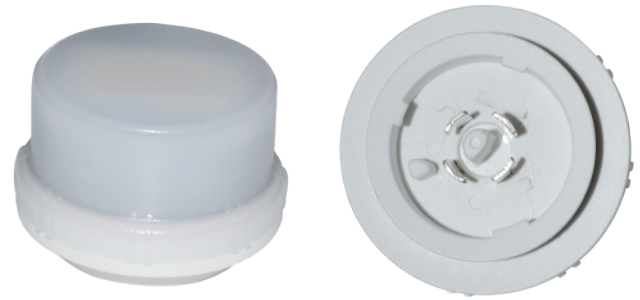
Project:
Date:

Type:

Sharkward Bluetooth®

Technology Partner **SILVAIR**

12-24V Wireless Fixture Controller With Z10 Connector



ANT-5-Z10-CON-BLE-SR allows for 0-10v dimming, high relay control, and is made to fit into a bluetooth mesh system. It utilizes a Bluetooth® low energy (BLE) mesh network. Dim levels and schedules can be set through silvair iOS app.

FEATURES & SPECIFICATIONS

Construction

- ANT-5-Z10-CON-BLE-SR is suitable for a variety of indoor and outdoor applications. It comes with Low Voltage Connector, and is IP 65 rated.
- Constructed of white/black PC
- This device can be powered by 12V auxiliary power from dim-to-off LED driver for ease of setup and operation.

Electrical

- ANT-5-Z10-CON-BLE-SR utilizes a Bluetooth® Low Energy (BLE) mesh network. Dim levels and schedules can be set through Silvair iOS app.
- Programmable settings include time delays and brightness and can be set through Silvair iOS app.

- Features such as parameter profiles, manual dim control, and real-time feedback from the sensor can speed up configuration and provide custom user control.
- Max Bluetooth® range is 200'(60m) line of sight and highly dependent on the integration of fixtures, surrounding environment. It is recommended to conduct testing for range accuracy.

- Input Voltage | Current Consumption:
12-24 VDC | 50 mA.

Installation

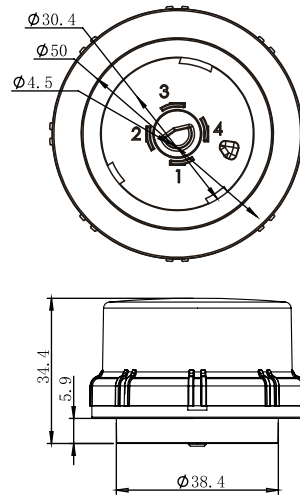
- Z10 design, Low Voltage Connector, match with TE 2343403-1.
- Operating temperature range of -40°C to +70°C.

- Max mounting Height: 40ft(12m).
- Available with Magnetic reset (Touch the top part of sensor for 5 seconds) 5-years limited warranty.

ORDERING GUIDE

Description	Part Number
12-24V Wireless Fixture Controller With Z10 Connector	ANT-5-Z10-CON-BLE-SR

DIMENSIONS AND APPEARANCE



WIRING DIAGRAM

- Port 1 : 12-24Vdc
- Port 2 : GND/DIM -
- Port 3 : DIM +
- Port 4 : NC

