



Catalog #:  
Prepared By:

Project:  
Date:

Type:

# Sharkward Bluetooth®

Technology Partner **SILVAIR**

## 12-24V daylight harvesting Bluetooth PIR Sensor



ANT-4E-BLE-SR uses PIR motion detector architecture and passive infrared (PIR) technology for improved detection coverage for high bay and low bay applications. It utilizes a Bluetooth® low energy (BLE) mesh network. Dim levels and schedules can be set through silvair iOS app.

### FEATURES & SPECIFICATIONS

#### Construction

- ANT-4E-BLE-SR provides multi-level wireless lighting control based on motion and daylight.
- Constructed of white/black PC
- PIR motion sensor can be configured as an occupancy or occupancy and daylight sensor.

#### Electrical

- ANT-4E-BLE-SR utilizes a Bluetooth® Low Energy (BLE) mesh network. Dim levels and schedules can be set through Silvair iOS app.
- 360 degree PIR motion sensor can be configured as an occupancy sensor. Occupancy sensor turns lights on automatically when motion is detected and turns lights off automatically after the area is vacated.
- Programmable settings include time

delays and brightness and can be set through Silvair iOS app.

- Features such as parameter profiles, manual dim control, and real-time feedback from the sensor can speed up configuration and provide custom user control.
- Max Bluetooth® range is 200'(60m) line of sight and highly dependent on the integration of fixtures, surrounding environment. It is recommended to conduct testing for range accuracy.
- Input Voltage | Current Consumption: 12-24VDC | 50 mA.

#### Installation

- IP20 Waterproof design, low voltage.
- PIR detection is 360° coverage pattern and is best suited for areas with a clear line of sight and good air circulation.

- Operating temperature range of -20°C to +60°C.
- Max mounting Height: 15ft(4.5m).
- Available with Magnetic reset (Touch the top part of sensor for 5 seconds).

#### Installation

- 5-years limited warranty.

#### Listings

- FCC
- UL
- DLC
- Bluetooth®
- Declaration ID: D062134

### ORDERING GUIDE

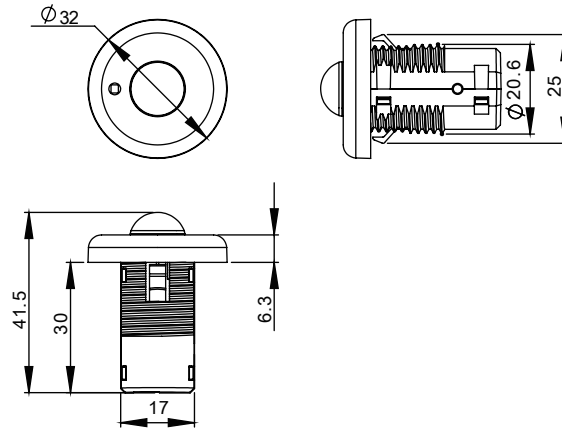
Description	Part Number
12-24V daylight harvesting Bluetooth PIR Sensor	ANT-4E-BLE-SR

Description  
12-24V daylight harvesting Bluetooth PIR Sensor

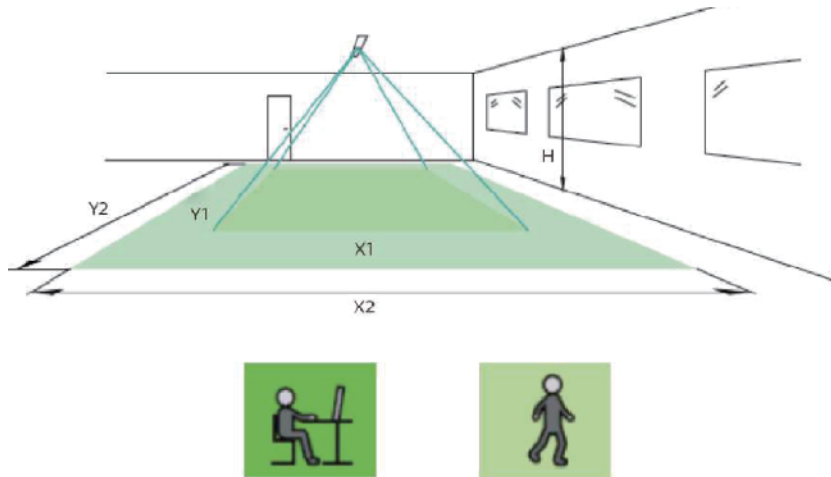


Type:

## DIMENSIONS AND APPEARANCE



## SENSOR COVERAGE



Height H	Minor Movement		Major Movement	
	Y1	X1	Y2	X2
8'/2.4m	10'/2.9m	9'/2.7m	15'/4.5m	9'/2.9m
10'/3m	12'/3.6m	11'/3.4m	18'/5.4m	12'/3.6m

Note: Longer dimension of detection area (Y1, Y2) is parallel to longer dimension.

## WIRING DIAGRAM

